



# RT6D-M

**72 Cells**

Mono-crystalline

**190-210W**

Power output

**16.45%**

The Highest Efficiency

**0~+5W**

Tolerance

WWW.RESTARSOLAR.COM

RT6D-M is a robust solar module with 72 solar cells. These modules can be used for on-grid solar applications. Our meticulous design and production techniques ensure a high-yield, long-term performance for every module produced. Our rigorous quality control and in-house testing facilities guarantee Restarsolar's modules meet the highest quality standards possible.



High module conversion efficiency (up to 16.45%), through superior manufacturing technology



Guaranteed 0~+5W positive power output tolerance ensures high reliability



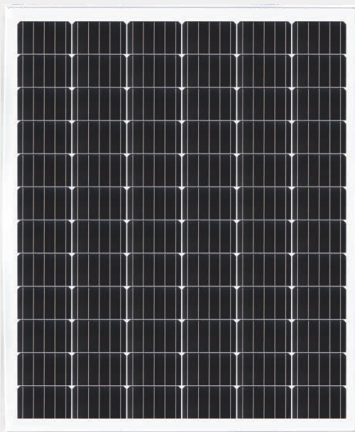
Anti-reflective, hydrophobic coating improves light absorption and reduces surface dust



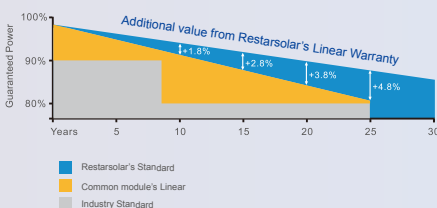
Excellent performance under low light environments (mornings, evenings and cloudy days)



Suitable for harsh environments, such as coasts, deserts and lakes. Withstand high level of wind loads (2400pa) and snow loads (5400pa)



## 0.5% Annual Degradation over 30 years



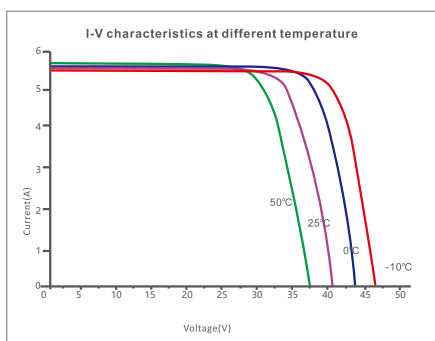
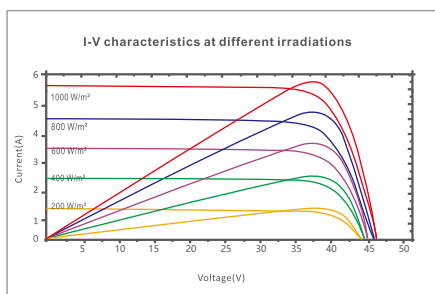
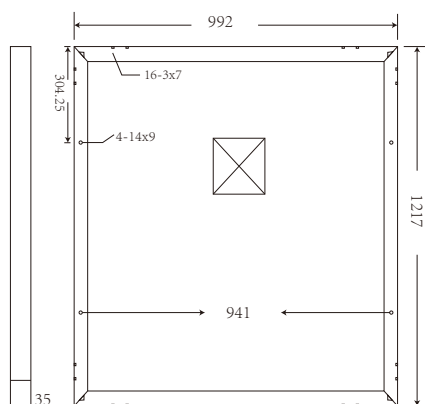
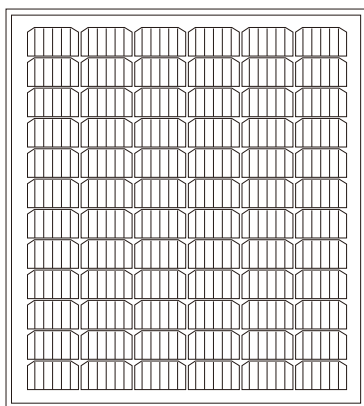
**LINEAR PERFORMANCE WARRANTY**  
12 year Product Warranty / 30 year Linear Power Warranty

## Full range of products and certification systems

ISO 9001 TUV PID-FREE CE IEC61215/61730/61701/62716



**Dimension of PV Modules** Unit: mm



**ELECTRICAL DATA(STC)**

Rated Power in Watts-Pmax(Wp)	190W	195W	200W	205W	210W
Open Circuit Voltage-Voc(V)	44.5V	44.5V	44.5V	45.1V	45.4V
Short Circuit Current-Isc(A)	5.52A	5.66A	5.81A	5.88A	5.98A
Maximum Power Voltage-Vmp(V)	36.5V	36.6V	36.7V	36.8V	37V
Maximum Power Current-Imp(A)	5.21A	5.33A	5.45A	5.58A	5.68A
Module Efficiency (%)	14.88%	15.27%	15.67%	16.06%	16.45%

STC: Irradiance 1000 W/m<sup>2</sup>, Cell Temperature 25°C, Air Mass AM1.5 according to EN 60904-3.

**ELECTRICAL DATA(NOCT)**

Maximum Power-Pmax (Wp)	142W	145W	148W	152W	156W
Open Circuit Voltage-Voc (V)	40.93V	41.10V	41.27V	41.44V	41.61V
Short Circuit Current-Isc (A)	4.47A	4.48A	4.59A	4.67A	4.76A
Maximum Power Voltage-Vmp(V)	33.55V	33.82V	34.08V	34.56V	34.84V
Maximum Power Current-Imp(A)	4.21A	4.29A	4.36A	4.42A	4.49A

NOCT: Irradiance at 800 W/m<sup>2</sup>, Ambient Temperature 20°C, Wind Speed 1 m/s.

**MECHANICAL DATA**

Solar cells	Mono-crystalline 156x93mm, 4 or 5 Bus bars
Cell configuration	72 cells(6x12)
Module dimensions	1217X992X35mm
Weight	13KGS
Front Cover	3.2mm Tempered Glass
Frame Material	Anodized Aluminum Alloy
J-BOX	IP65 or IP67, 6 Diodes
Cable	4mm <sup>2</sup> (IEC)/12AWG(UL), 1000mm
Connectors	MC4 or MC4 Comparable
Standard Packaging	29pcs/pallet

**TEMPERATURE & MAXIMUM RATINGS**

Nominal Operating Cell Temperature (NOCT)	45°C±2°C
Temperature Coefficient of Voc	-0.32%/°C
Temperature Coefficient of Isc	0.05%/°C
Temperature Coefficient of Pmax	-0.39%/°C
Operational Temperature	-40~+85°C
Maximum System Voltage	1000V(IEC)/600V(UL)
Max Series Fuse Rating	10A
Limiting Reverse Current	10A

**PACKAGING CONFIGURATION**

	40HQ	20GP
Number of modules per container	1320pcs	604pcs
Package	2pcs/carton box	2pcs/carton box
Package Weight	25kg/carton box	25kg/carton box
Package Number	660carton boxes	302carton boxes
Package Dimension	1240*1120*80mm/carton box	1240*1120*80mm/carton box